

Conveyor system FW

F45

FT

FS

FL

FLP

F65

FM

FMP

F85

F85P

FH

FK

FKP

FB140

FB175

FB295

SPIRAL

FW

FLX

FMX

FHX

FBX175

FBX295

ACC

CA

FC

TOOL

IDX

Contents

Belts & Conveyor beam 2

End drive units 6

Idler units 7

Plain bends 8

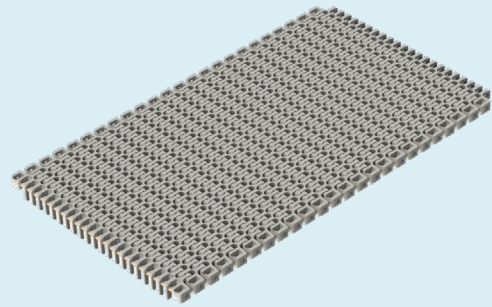
Vertical bends 10

Belts & Conveyor beam

Plain belt Length 1 m
Acetal

FWTP 1A304H FW 322, 304 mm wide
FWTP 1A406H FW 424, 406 mm wide
FWTP 1A608H FW 626, 608 mm wide

Belt pitch 25.4 mm



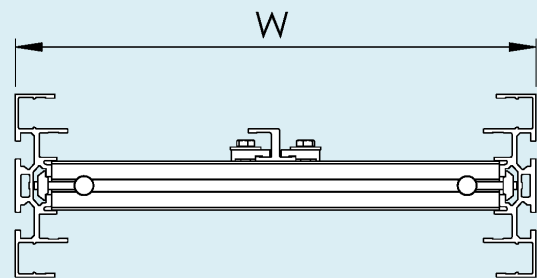
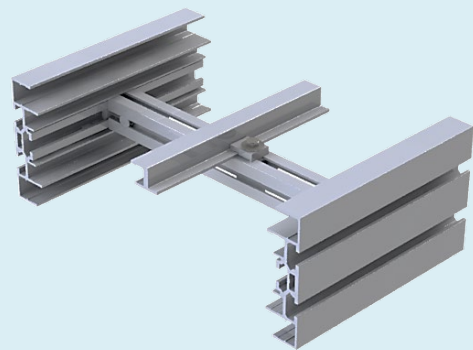
Conveyor beam

FWCB 3A322
FW 322, Length 3 m

FWCB 3A424
FW 424, Length 3 m

FWCB 3A626
FW 626, Length 3 m

The beam section is delivered unassembled.



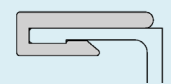
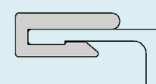
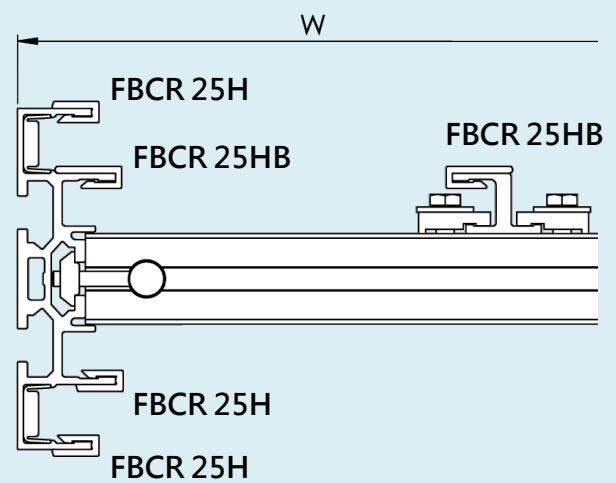
Slide rail

Slide rail. Length 25 m

FBCR 25H PA-PE (Grey)
FBCR 25HB PA-PE (Grey)

FWCS 25X5H

FWCS 25X5H



FBCR 25H

FBCR 25HB

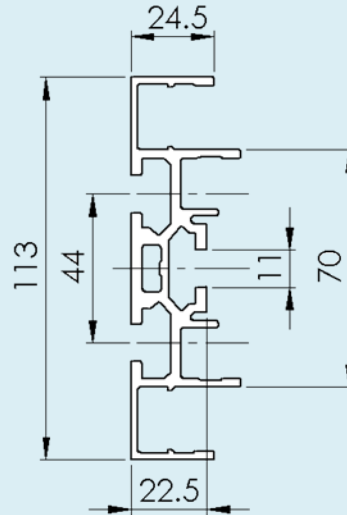
Belts & Conveyor beam

Conveyor frame profile

FWCF 3X113

Frame profile

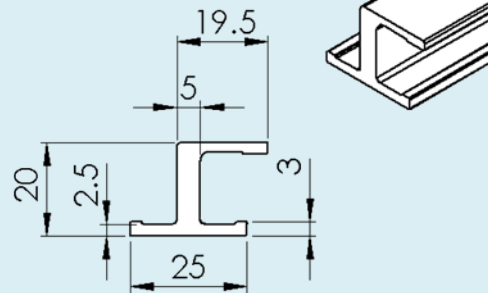
Length 3000 +10/-0mm



Centre support profile

FWCN 3X20

Length 3000 +10/-0 mm

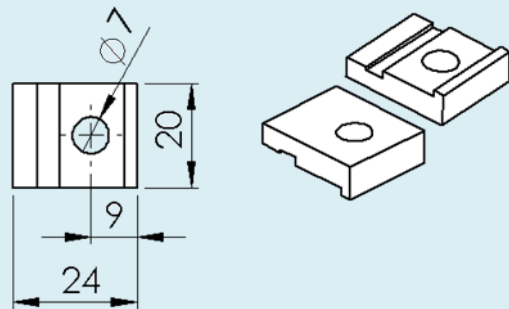


Cleat

FWCP 20

Mounting:

One each of MC6S 6x14, BRB 6.4x12, FFAN6



FFAN 5*

Steel, zinc-chromated

F5056131

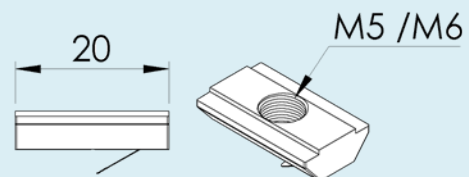
M5, Multipack (500 pcs)

FFAN 6*

Steel, zinc-chromated

F5056130

M6, Multipack (500 pcs)



*Note. Must be order in multiples of 10

F45

FT

FS

FL

FLP

F65

FM

FMP

F85

F85P

FH

FK

FKP

FB140

FB175

FB295

SPIRAL

FW

FLX

FMX

FHX

FBX175

FBX295

ACC

CA

FC

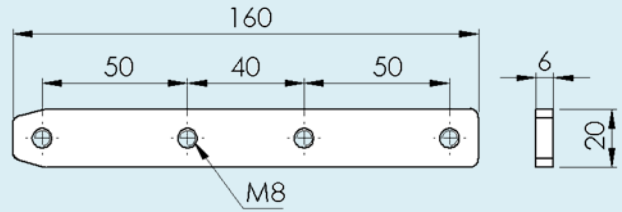
TOOL

IDX

Belts & Conveyor beam

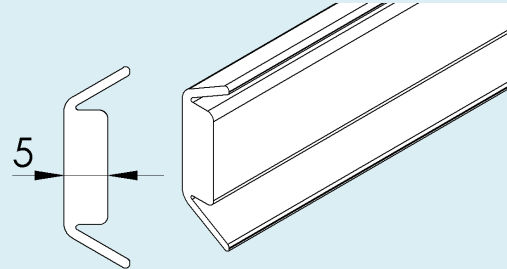
Connecting strips for beam

FSCJ 6X160
Connecting strip



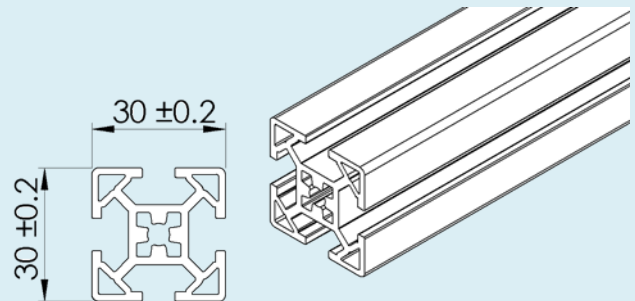
Support rail

FWCS 25X5H
Support rail, length 25 m
PA-PE (Grey)



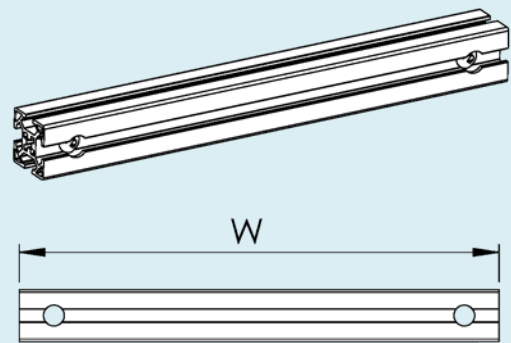
Support beam 30x30

FFBM 3X30
Beam 30 mm x 30 mm
Aluminium, anodized
Length 3000 mm

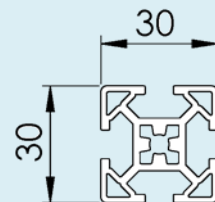


Spacer beam

F8050032 Length 279 mm
F8050033 Length 381 mm
F8050034 Length 583 mm



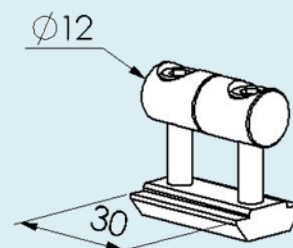
Spacer beam 30 mm x 30 mm



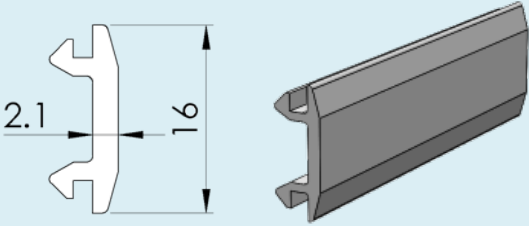
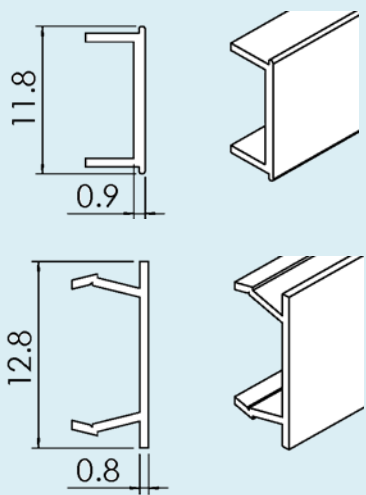
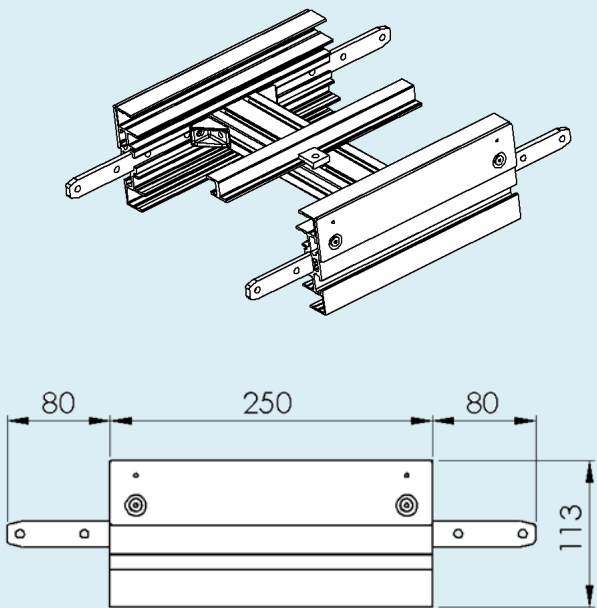

Fastener yoke

FLAF 30

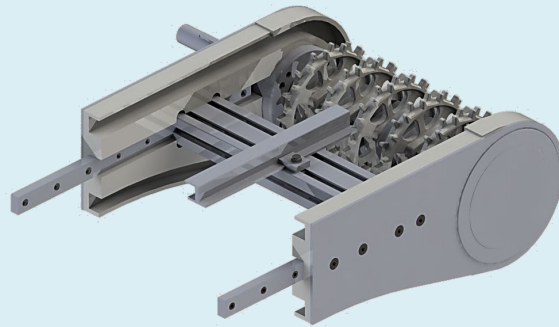
Steel, electro-zinc-plated
Length 30 mm



Belts & Conveyor beam

| | | |
|--|--|--|
| <p>Cover strip for T-slot, PVC</p> <p>FCAC 25P</p> <p>Length 25 mt Grey PVC</p> |  | <p>F45</p> <p>FT</p> <p>FS</p> <p>FL</p> <p>FLP</p> <p>F65</p> <p>FM</p> |
| <p>FCAC 2 Cover strip Length 2 mt Aluminium, anodized</p> <p>FCAC 3P Cover strip Length 3 mt Polyvinyl chloride</p> <p><i>Note! Can' t be used with bends</i></p> |  | <p>FMP</p> <p>F85</p> <p>F85P</p> <p>FH</p> <p>FK</p> <p>FKP</p> <p>FB140</p> <p>FB175</p> <p>FB295</p> |
| <p>Beam section for belt installation</p> <p>Beam section kit</p> <p>FW 322 FWCC 322 FW 424 FWCC 424 FW 626 FWCC 626</p> <p>Including connection strips and screws</p> |  | <p>SPIRAL</p> <p>FW</p> <p>FLX</p> <p>FMX</p> <p>FHX</p> <p>FBX175</p> <p>FBX295</p> <p>ACC</p> <p>CA</p> <p>FC</p> <p>TOOL</p> <p>IDX</p> |
| <p>Mounting tool for slide rail</p> <p>FWMR 135</p> |  | |

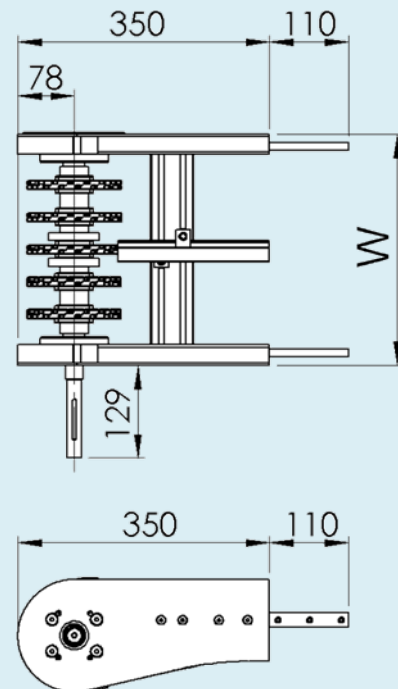
End drive unit



FWEB 0A322NLP
FWEB 0A322NRP
W=322

FWEB 0A424NLP
FWEB 0A424NRP
W=424

FWEB 0A626NLP
FWEB 0A626NRP
W=626

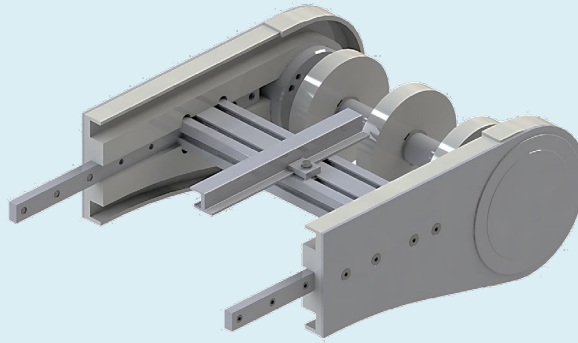


End drive unit
Without motor:
Transmission on left side
Transmission on right side

**Use online configurator when ordering*

Effective track length : 0.8 m

Idler end unit

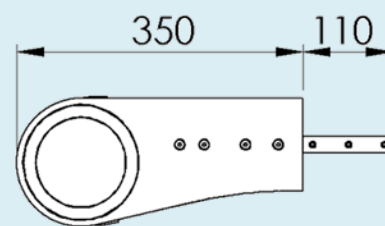
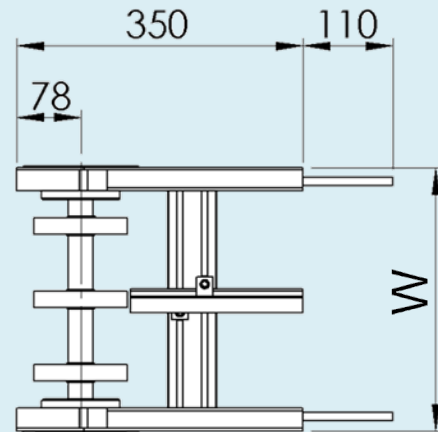


FWEJ 300A322 W=322

FWEJ 300A424 W=424

FWEJ 300A626 W=626

Idler end unit



Effective track length : 0.8 m

F45

FT

FS

FL

FLP

F65

FM

FMP

F85

F85P

FH

FK

FKP

FB140

FB175

FB295

SPIRAL

FW

FLX

FMX

FHX

FBX175

FBX295

ACC

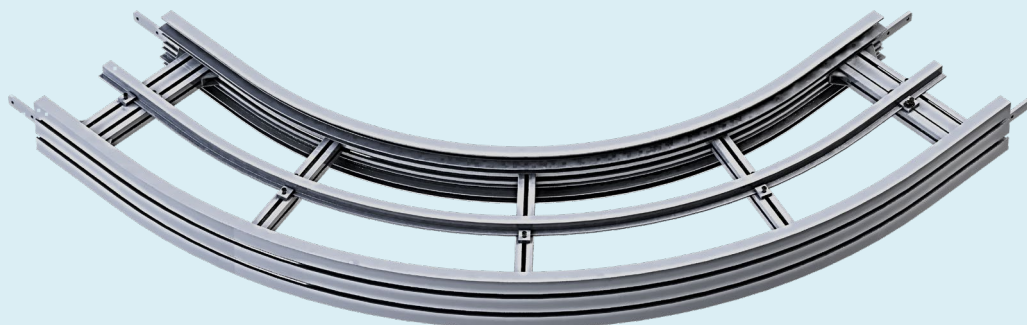
CA

FC

TOOL

IDX

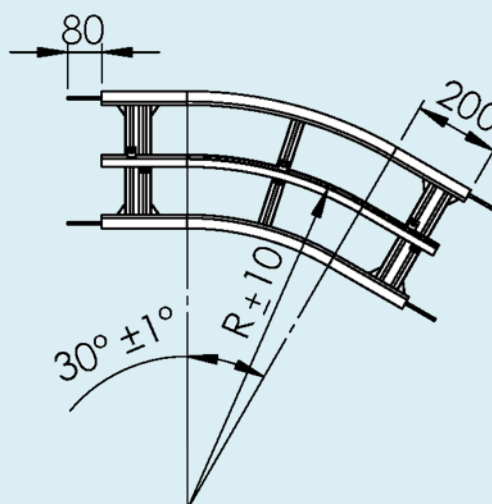
Plain bends



Plain bend, 30°

FWBP 30A322 R = 820 ± 10 mm
FWBP 30A424 R = 1100 ± 10 mm
FWBP 30A626 R = 1650 ± 10 mm

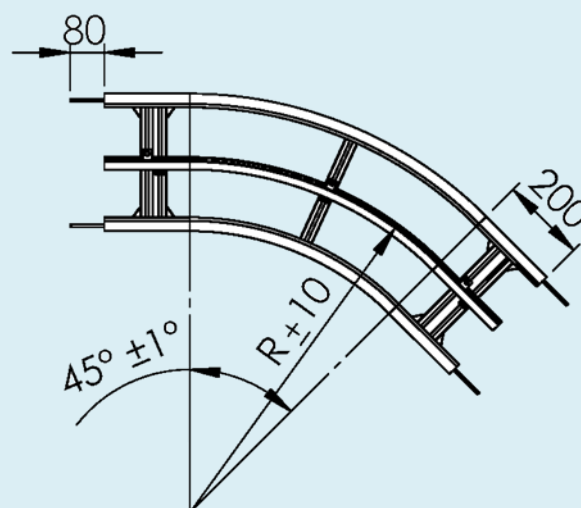
Effective track lengths:
R820: 1.85 m (top+bottom)
R1100: 2.20 m (top+bottom)
R1650: 2.90 m (top+bottom)



Plain bend, 45°

FWBP 45A322 R = 820 ± 10 mm
FWBP 45A424 R = 1100 ± 10 mm
FWBP 45A626 R = 1650 ± 10 mm

Effective track lengths:
R820: 2.35 m (top+bottom)
R1100: 2.90 m (top+bottom)
R1650: 3.90 m (top+bottom)

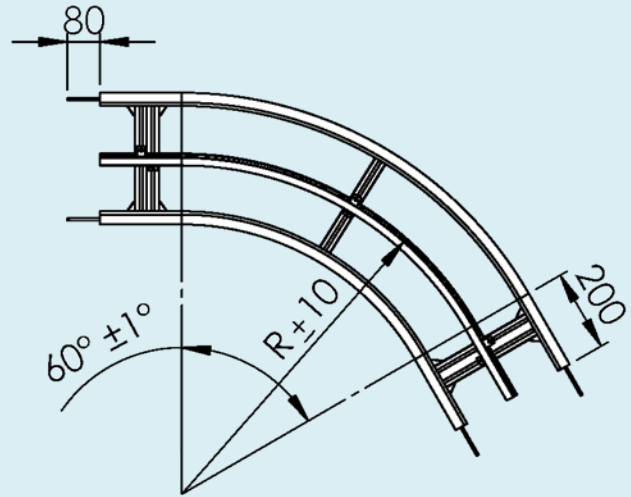


Plain bends

Plain bend, 60°

FWBP 60A322 R = 820 ± 10 mm
 FWBP 60A424 R = 1100 ± 10 mm
 FWBP 60A626 R = 1650 ± 10 mm

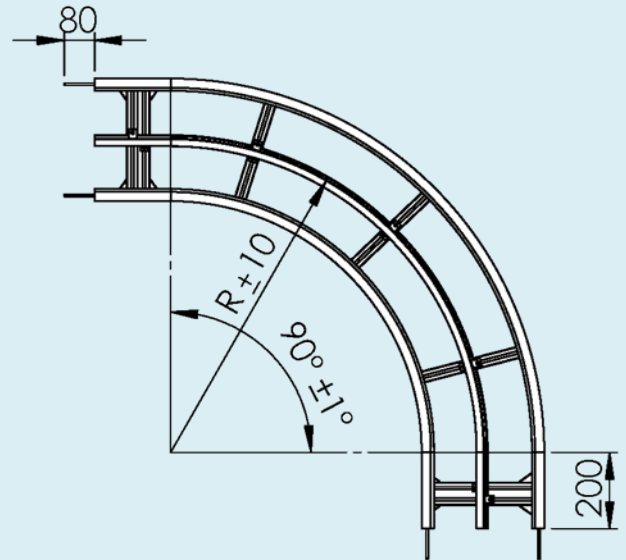
Effective track lengths:
 R820: 2.85 m (top+bottom)
 R1100: 3.55 m (top+bottom)
 R1650: 4.90 m (top+bottom)



Plain bend, 90°

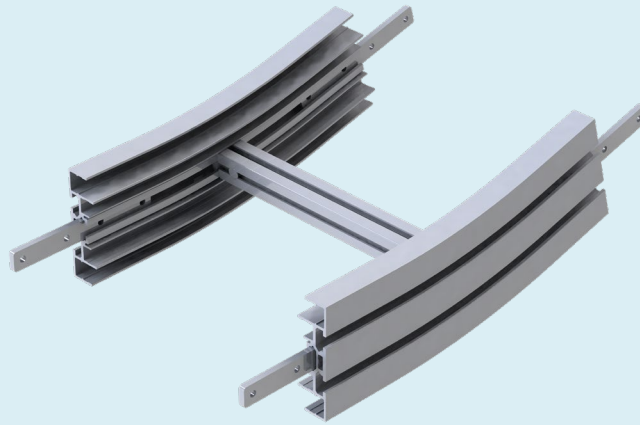
FWBP 90A322 R = 820 ± 10 mm
 FWBP 90A424 R = 1100 ± 10 mm
 FWBP 90A626 R = 1650 ± 10 mm

Effective track lengths:
 R820: 3.85 m (top+bottom)
 R1100: 4.90 m (top+bottom)
 R1650: 6.95 m (top+bottom)



- F45
- FT
- FS
- FL
- FLP
- F65
- FM
- FMP
- F85
- F85P
- FH
- FK
- FKP
- FB140
- FB175
- FB295
- SPIRAL
- FW**
- FLX
- FMX
- FHX
- FBX175
- FBX295
- ACC
- CA
- FC
- TOOL
- IDX

Vertical bends



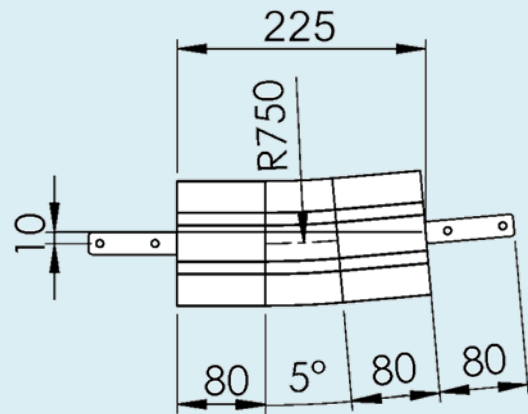
Vertical bend, 5°

FWBV 5A322 R = 750 mm

FWBV 5A424 R = 750 mm

FWBV 5A626 R = 750 mm

Effective track lengths: 0.50 m
(top+bottom)



Vertical bend, 15°

FWBV 15A322 R = 750 mm

FWBV 15A424 R = 750 mm

FWBV 15A626 R = 750 mm

Effective track lengths: 0.75 m
(top+bottom)

